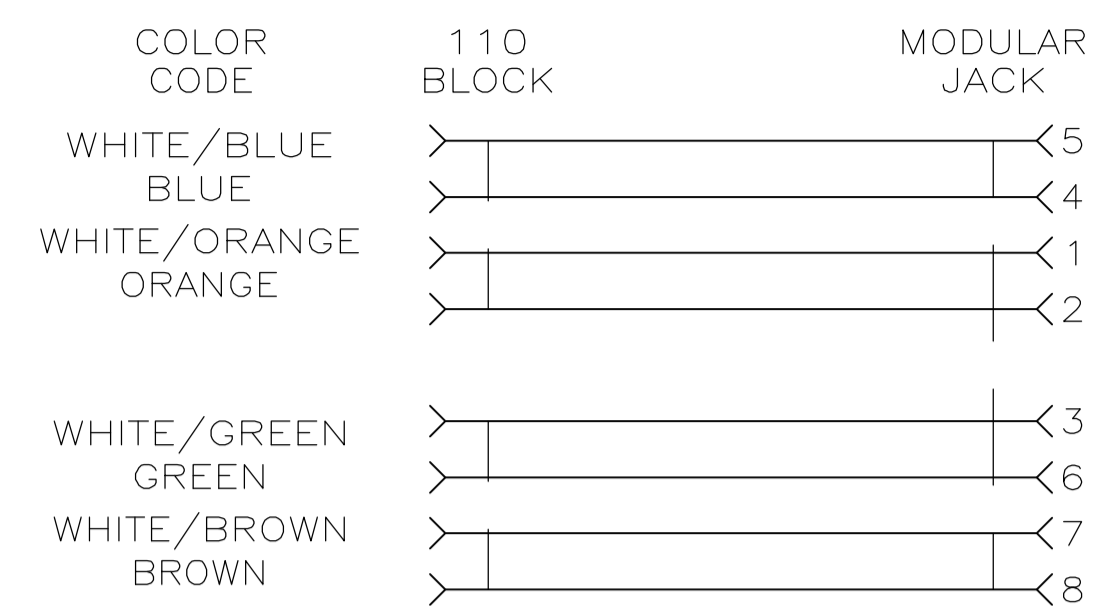
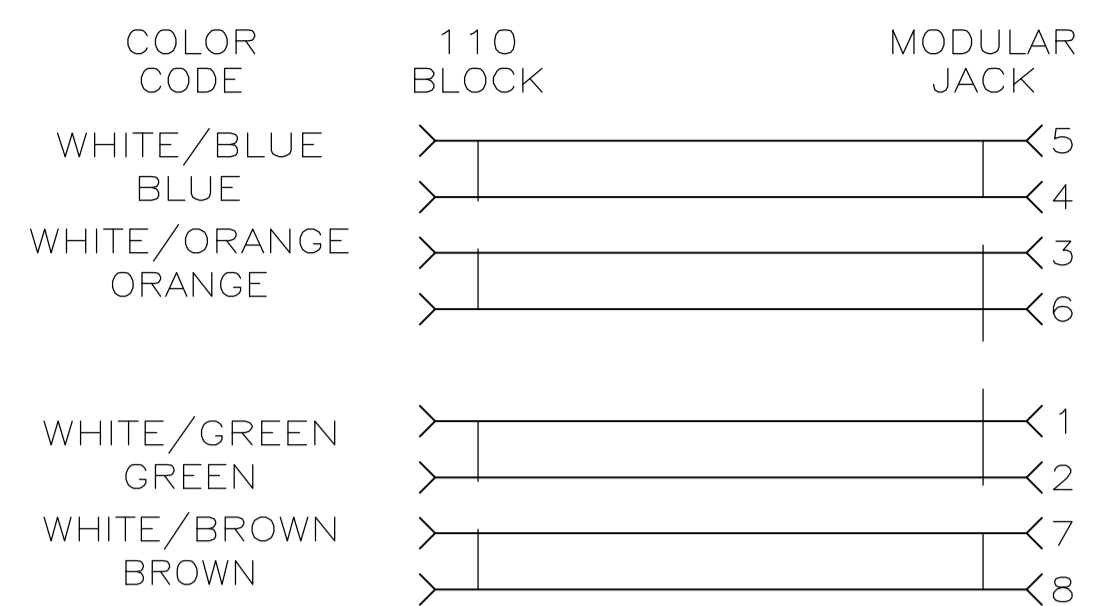


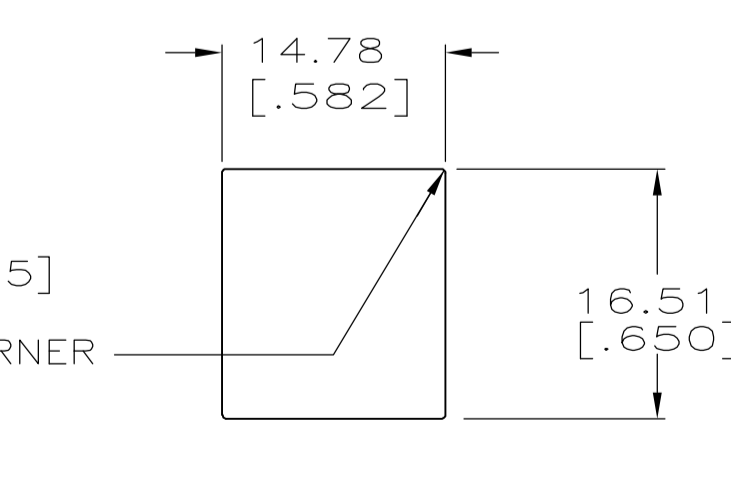
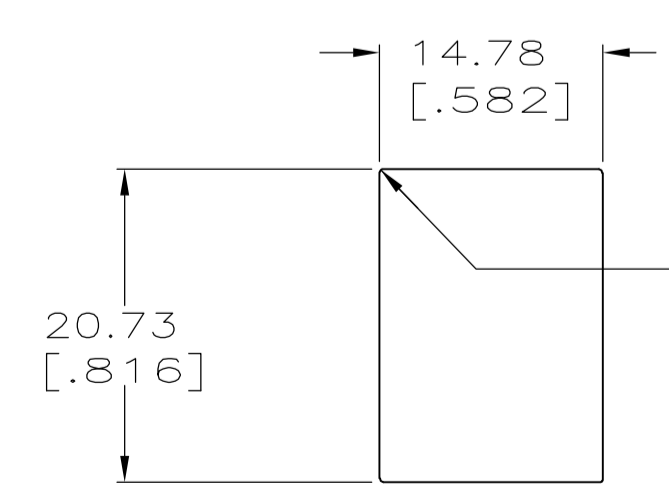
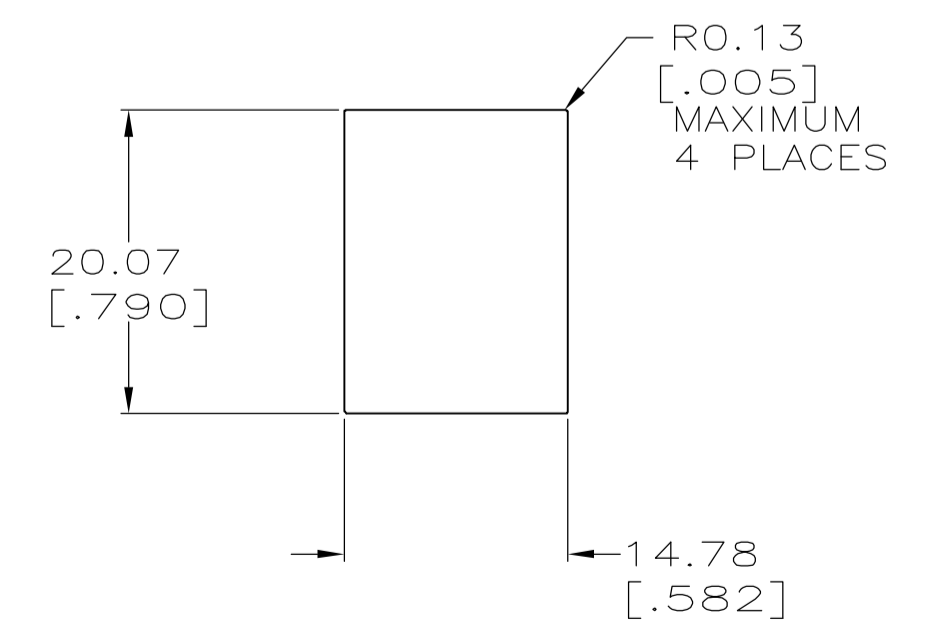
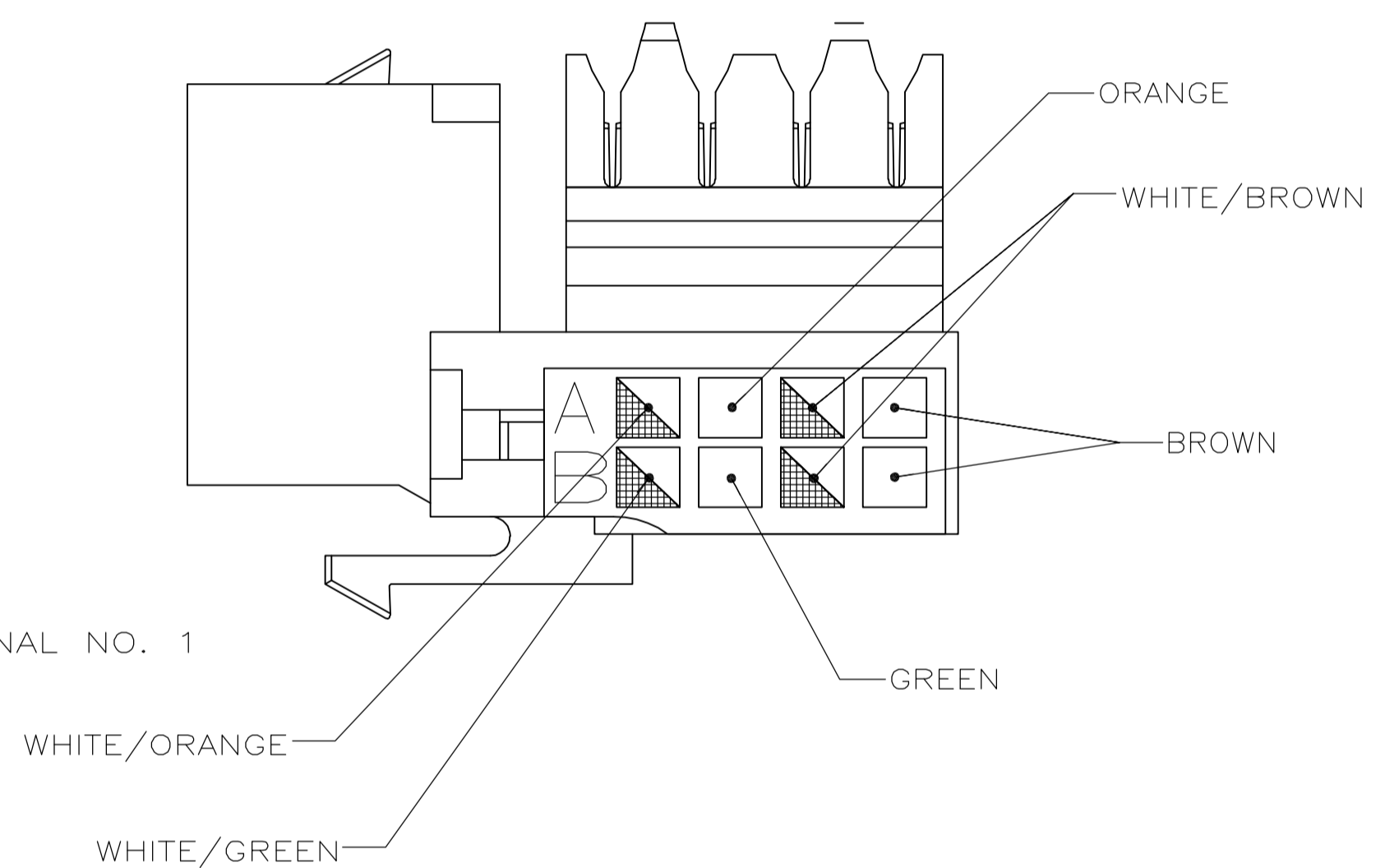
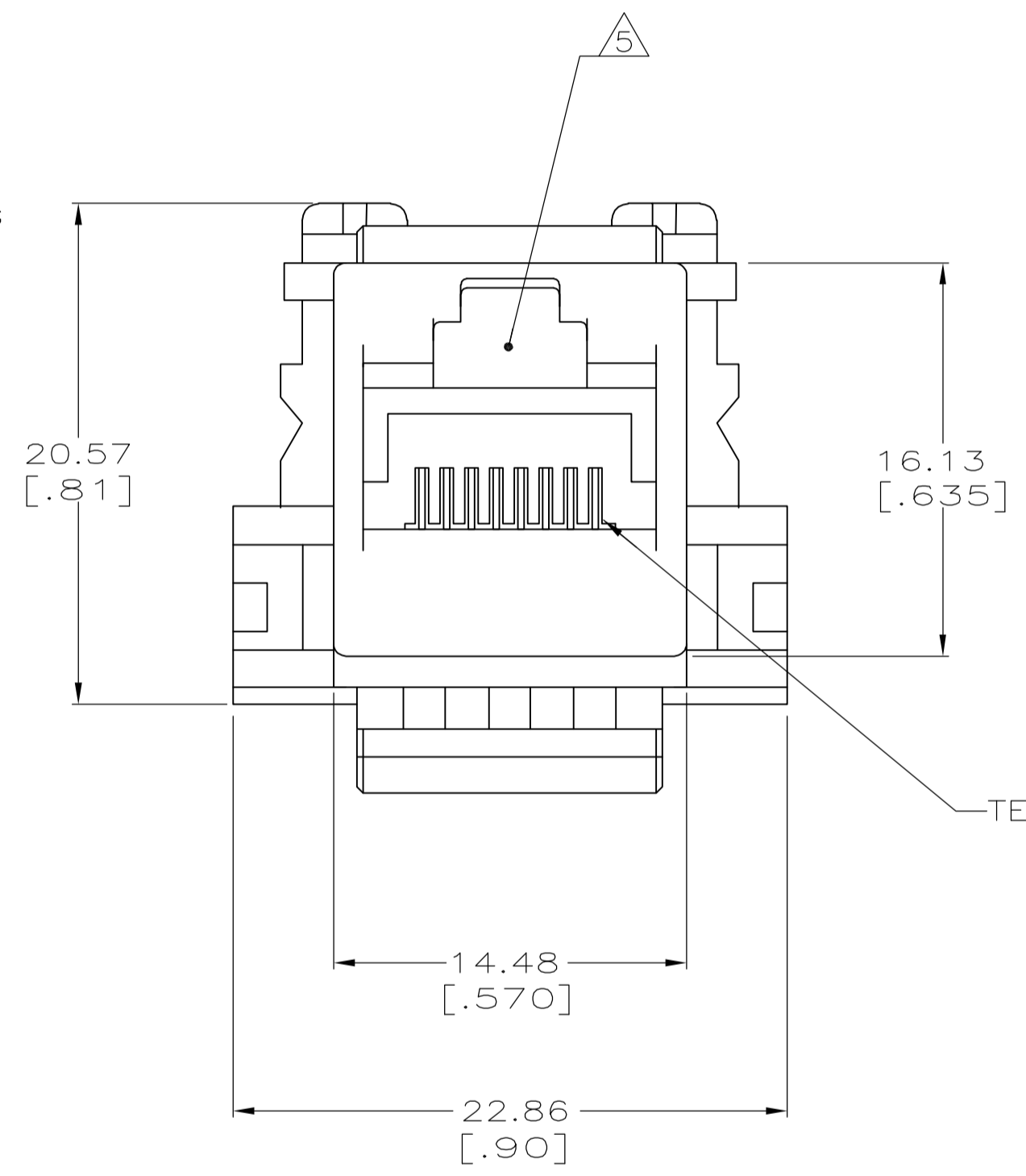
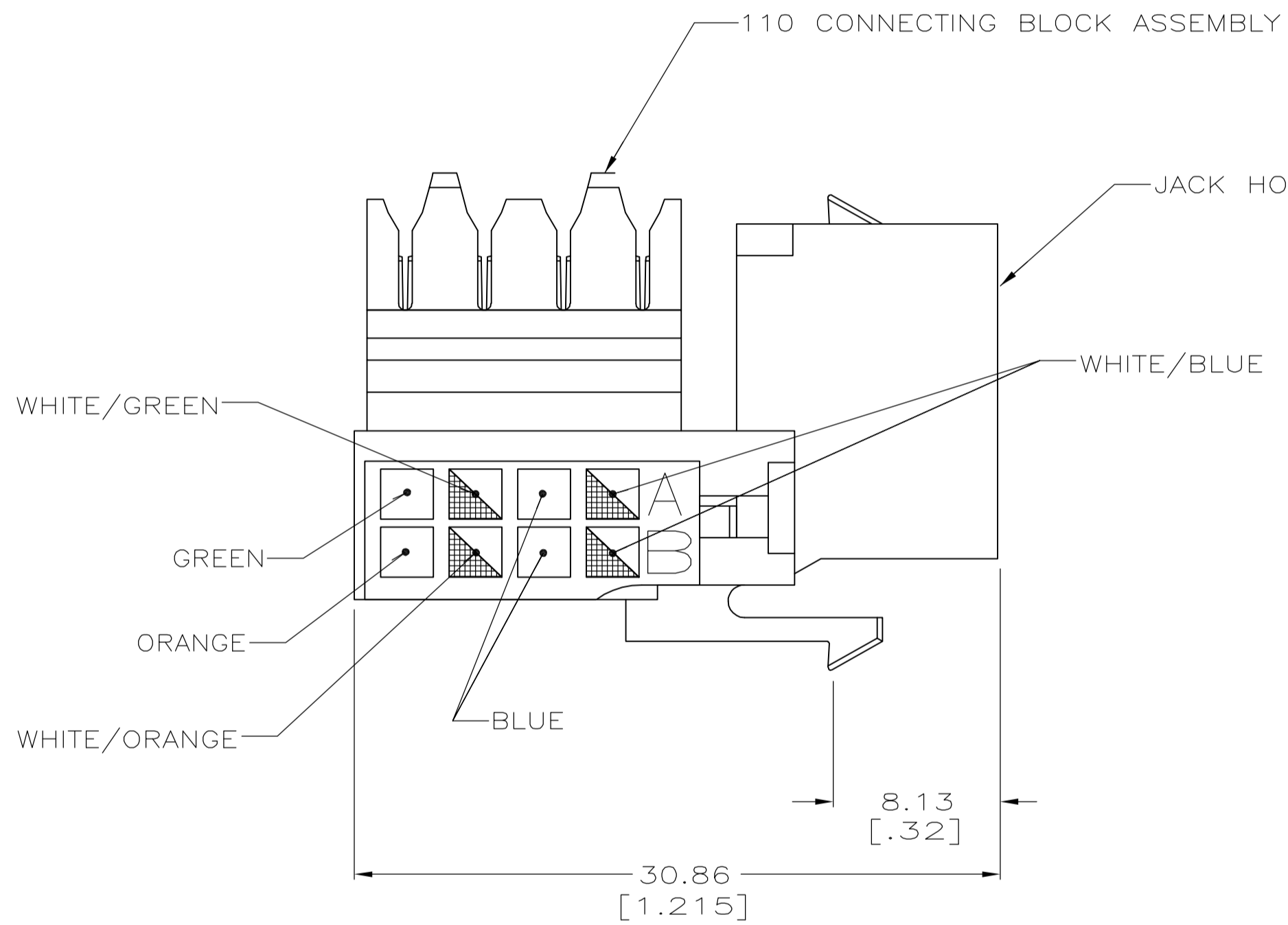
LOC		DIST		REVISIONS			
HM	00	REV	DESCRIPTION	DATE	BY	APP'D	
		D	REV. EC 0840-0068-01	12APR01	GG	BT	
		E	REV-ECO-07-000357	13APR07	LH	BM	



ELECTRICAL SCHEMATIC T568A

ELECTRICAL SCHEMATIC T568B

- 1. MATERIAL: HOUSING - POLYPHENYLENE OXIDE, 94V-0 RATED. SEE TABLE FOR COLOR. 110 BLOCKS - POLYCARBONATE, 94V-0 RATED. JACK CONTACTS - PHOSPHOROUS BRONZE, PLATED WITH 1.27µm [.000050] MINIMUM THICK GOLD IN LOCALIZED AREA AND 3.81µm [.000150] MINIMUM THICK MATTE TIN IN SOLDER AREA OVER 1.27µm [.000050] MINIMUM THICK NICKEL UNDERPLATE.
- 2. 110 BLOCK WILL TERMINATE 22-26 AWG SOLID OR 7 STRAND CONDUCTORS, 1.27 [.050] MAXIMUM INSULATION DIAMETER.
- 3. MOUNTING PANEL THICKNESS 1.473 - 1.600 [.058 - .063].
- 4. ONE MODULAR JACK ASSEMBLY PER POLYBAG.
- 5. CAVITY CONFORMS TO FCC RULES AND REGULATIONS PART 68 SUBPART F REQUIREMENTS.
- 6. THESE TWO SUGGESTED CUTOUT OPENINGS ARE USED IN TANDEM WITH DUAL FRONT AND BACK CUTOUTS.
- 7. TWENTY FIVE MODULAR JACK ASSEMBLIES PER POLYBAG.



SUGGESTED SINGLE PANEL CUTOUT SCALE 2:1

SUGGESTED BACK PANEL CUTOUT SCALE 2:1

SUGGESTED FRONT PANEL CUTOUT SCALE 2:1

PACKAGED	HOUSING COLOR	PART NUMBER
△	ELECTRIC IVORY	3-406372-1
	VIOLET	3-406372-0
	GREEN	2-406372-9
	YELLOW	2-406372-8
	RED	2-406372-7
	BLUE	2-406372-6
	ORANGE	2-406372-5
	NEMA GRAY	2-406372-4
	WHITE	2-406372-3
	BLACK	2-406372-2
	LIGHT ALMOND	2-406372-1
△	ELECTRIC IVORY	1-406372-1
	VIOLET	1-406372-0
	GREEN	406372-9
	YELLOW	406372-8
	RED	406372-7
	BLUE	406372-6
	ORANGE	406372-5
	NEMA GRAY	406372-4
	WHITE	406372-3
	BLACK	406372-2
	LIGHT ALMOND	406372-1

THIS DRAWING IS A CONTROLLED DOCUMENT. DWG: DL DRUMMOND 25 NOV 96  
 CHK: T. WOOTEN 09 JAN 97  
 APP'D: G. ROWMAN 09 JAN 97  
 PRODUCT SPEC: 110 MODULAR JACK ASSEMBLY, RJ45, ENHANCED CAT5, UNIVERSAL

DIMENSIONS: mm [INCHES]	TOLERANCES UNLESS OTHERWISE SPECIFIED:	SIZE	CAGE CODE	DRAWING NO	RESTRICTED TO
0 PLC ± -	1 PLC ± -	A1	00779	406372	-
1 PLC ± -	2 PLC ± 0.25[.01]	WEIGHT	SCALE 4:1		SHEET 1 OF 1
2 PLC ± 0.25[.01]	3 PLC ± 0.13[.005]	CUSTOMER DRAWING	REV E		
3 PLC ± 0.13[.005]	4 PLC ± -				
4 PLC ± -	ANGLES ± -				

tyco Electronics Corporation  
 Harrisburg, PA 17105-3608